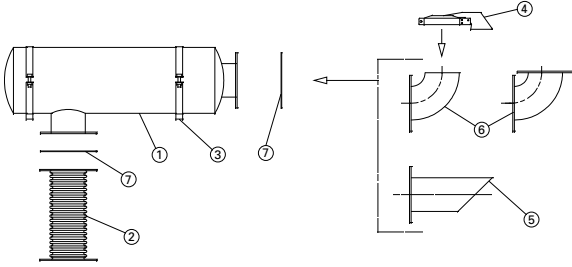


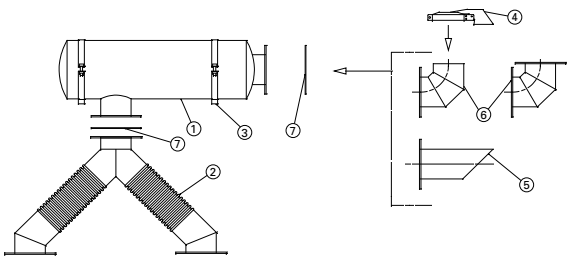


Serving Your Complete System Needs

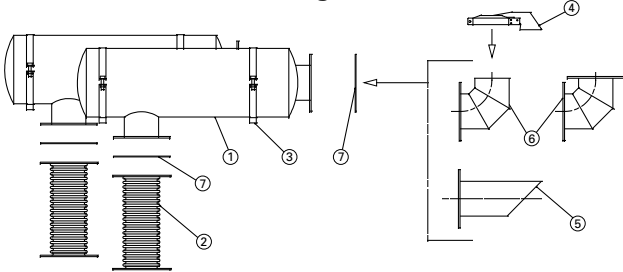
Single Silencer with Single Inlet



Single Silencer with Wye Connection



Dual Silencers with Single Inlet



Engine Exhaust Silencer & Accessories:

1. Silencer
2. Flex Connection
3. Mounting Band
4. Rain Cap
5. Mitered Exhaust
6. Elbows
7. Flange/Gasket

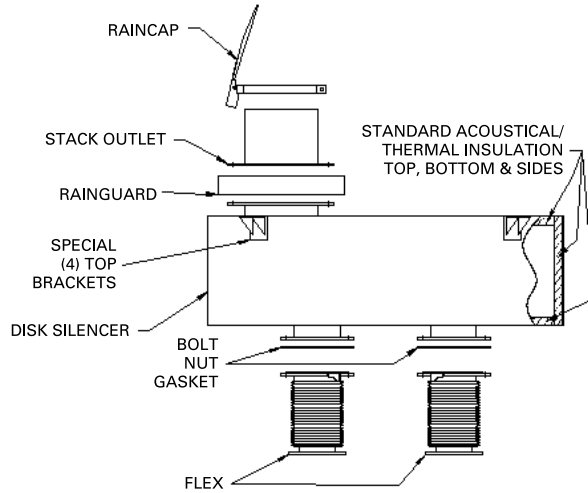
Exhaust System Components:

- Engine to Silencer: A 321 stainless steel, annular corrugated flexible exhaust hose shall be used in between the engine outlet connection and the silencer inlet connection.
- Silencer Exhaust Pipe: The exhaust tail pipe extending from the silencer outlet shall use the minimum amount of elbows (90° and 45°) and straight pipe to stay within the manufacturers maximum allowable back pressure.
- Silencer and Piping Supports: The silencer and piping system shall be mounted so that its weight is not supported by the engine. When at all possible, a vibration isolating type mounting support shall be used.
- Exhaust Pipe Termination: The exhaust pipe extending from the silencer shall use a rain cap or mitered exhaust with bird screen at the end of each exhaust run to prevent rain, snow, birds, debris, etc. from entering the engine exhaust system when the engine is not running.

The total exhaust system when at all possible, shall be the product of a single manufacture. This will insure the best form, fit and function during exhaust system installation and operations. The total exhaust system includes the silencer, silencer mounting supports, flex connector and accessories. Where applicable, the exhaust system components shall be supplied with a 1200° satin black finish. When a specified dBA level is required for a certain distance, please consult silencer manufacturer for correct silencer model and design.



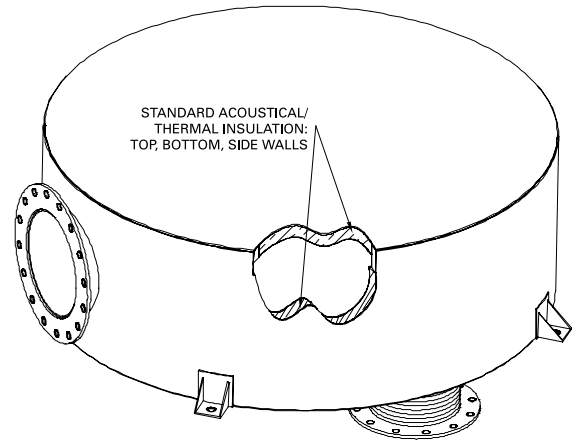
Disk Silencer* with Dual Bottom Inlet/Top Outlet



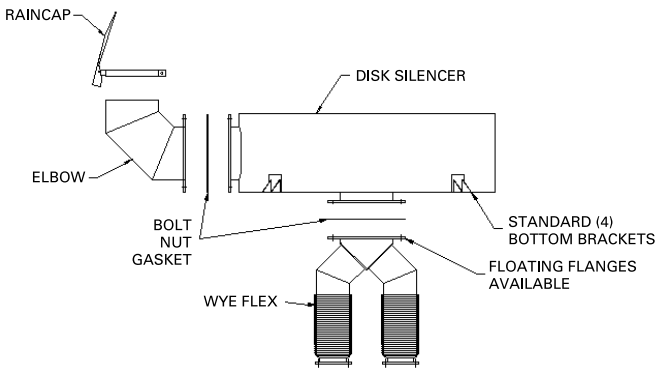
**Shown with Optional Accessories*

Applications

- Power Modules
- Marine Engine Rooms
- Drop-Over Enclosures
- Space Limited Applications



Disk Silencer* with Single Bottom Inlet/Side Outlet Wye Option



**Shown with Optional Accessories*

Consult your sales representative or the factory for various construction options:

- Specific inlet/outlet configurations and orientations
- Flush mounted flanges
- Flanges with weld nuts
- Integral roof plate design
- Comprehensive line of exhaust accessories
- Stainless steel construction
- Internal Thermal Insulation – Top, Bottom and Side Walls
- Acoustically Engineered to Obtain Sound Pressure Objectives
- Effective Noise Reduction for Limited Space Applications